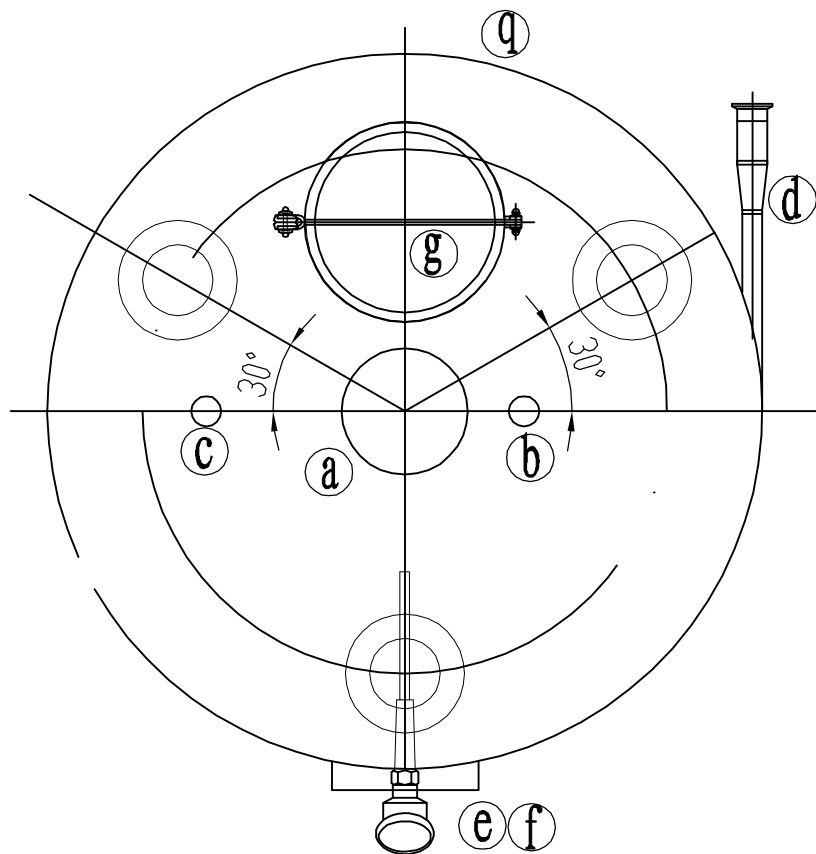


250L Kettle/ Whirlpool



16		YAB Manway	1	SUS304 $\phi$ 250		
15		Temperature Sensor	1	SUS304		
14		Heating Coil	1	SUS304 customers offer		
13		Material Outlet	1	SUS304 1.5"		
12		Feet Pad	3	SUS304 $\phi$ 150x4		
11		Legs	3	SUS304 $\phi$ 89x3		
10		Buckler	3	SUS304 2x150x150		
9		Outer Bottom Cone	1	SUS304 $\delta$ =2		
8		Inner Bottom Cone	1	SUS304 $\delta$ =4		
7		Whirl Material Inlet	1	SUS304 1.5" 1.5"/1" 1"		
6		Shell	1	SUS304 $\delta$ =2		
5		Canister	1	SUS304 $\delta$ =3		
4		Tank Wall	1	SUS304 $\delta$ =3		
3		CIP Assembly	1	1 SUS304 1.5" 1.5"/1"		
2		Material Inlet	1	SUS304 1.5"		
1		Exhausted Pipe	1	SUS304 $\phi$ 159x2		
No.	Code	Item	Qty	Material		